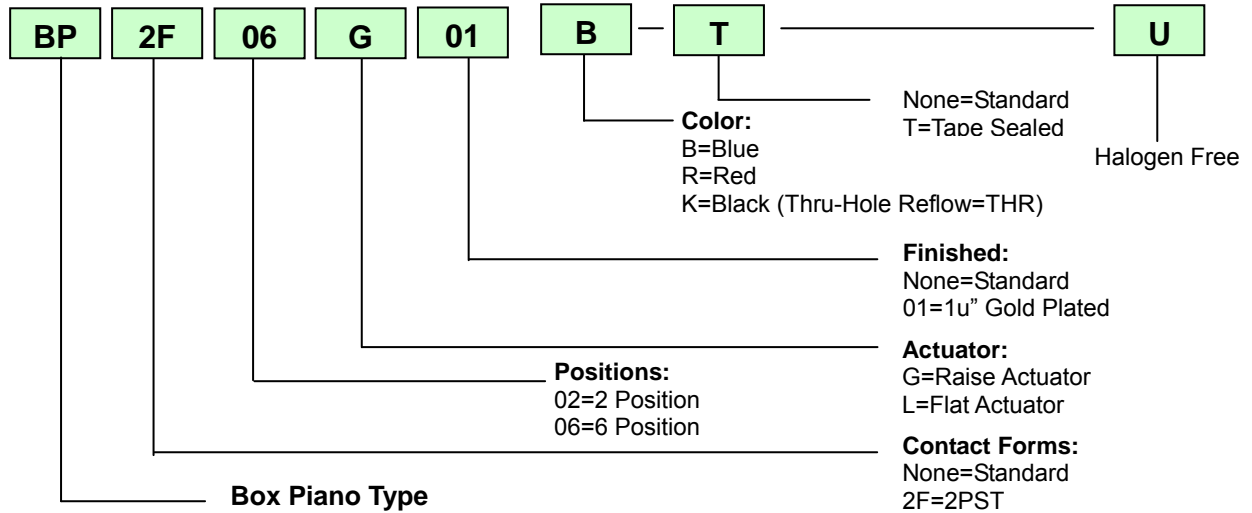


Order Information



Specifications

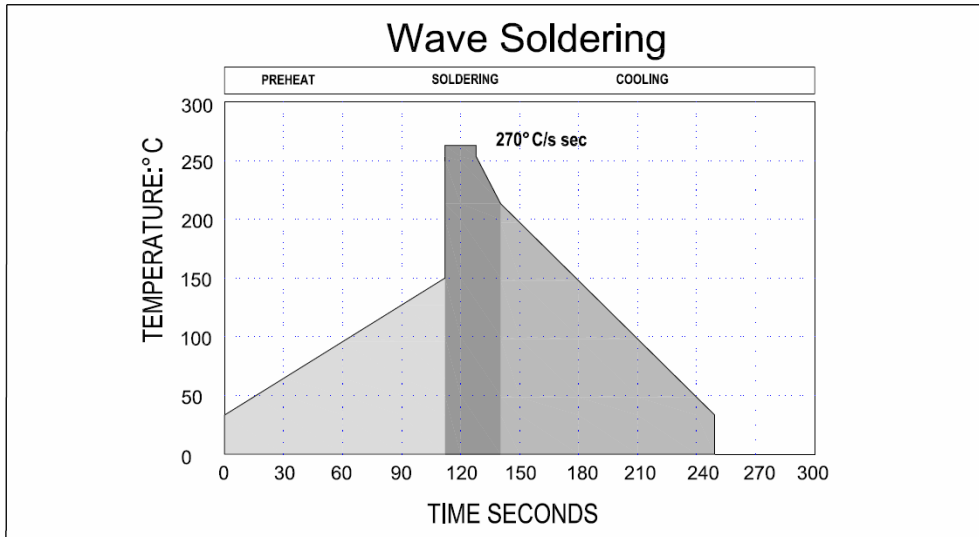
◆ Contact Rating	Switching..... 25mA, 24VDC
	Non-Switching.....100mA, 50VDC
◆ Contact Resistance	Initial.....50mΩ Max.
	After Reliability Test.....100mΩ Max.
◆ Insulation Resistance100MΩ Min. at 500VDC
◆ Dielectric Strength500VDC / 1 minute
◆ Operation Force1,000g max
◆ Mechanical Life 5,000 cycles (Min.)
◆ Electrical Life 2,000 cycles / 25mA, 24VDC
◆ Operation Temperature-40 ~ +85
◆ Storage Temperature-40 ~ +85

Soldering Information

- ◆ **Hand Soldering**
Soldering iron 30W or under at 350 for 3 sec max or at 270 for 5 sec max.
- ◆ **Wave Soldering**
(1) For lead free wave solder simulation of typical components, the solder bath temperature Shall be maintained to 275 / 5~10 seconds.
(2) **THR:** 280 /10seconds
- ◆ Keep all actuators in " OFF " position during soldering and cleaning process.

MODEL	SPECIFICATION RoHS Compliant DIP SWITCH	SP-002	Page
BP series Box Piano Type			2/5

Classification Wave Soldering Profiles



Maximum dwell time in the solder wave (270) shall not exceed 5 seconds.

Switch Operation and Taping

- (1) Use tweezers for operation.
- (2) Flux cleaning should be done without removing the Tape.
- (3) If the tape is removed, it adheres less than before when it is placed back on, possibly causing flux inflow
- (4) Ultrasonic cleaning not re-commended without Tape sealed.

All switches must set in OFF position when through Soldering process.

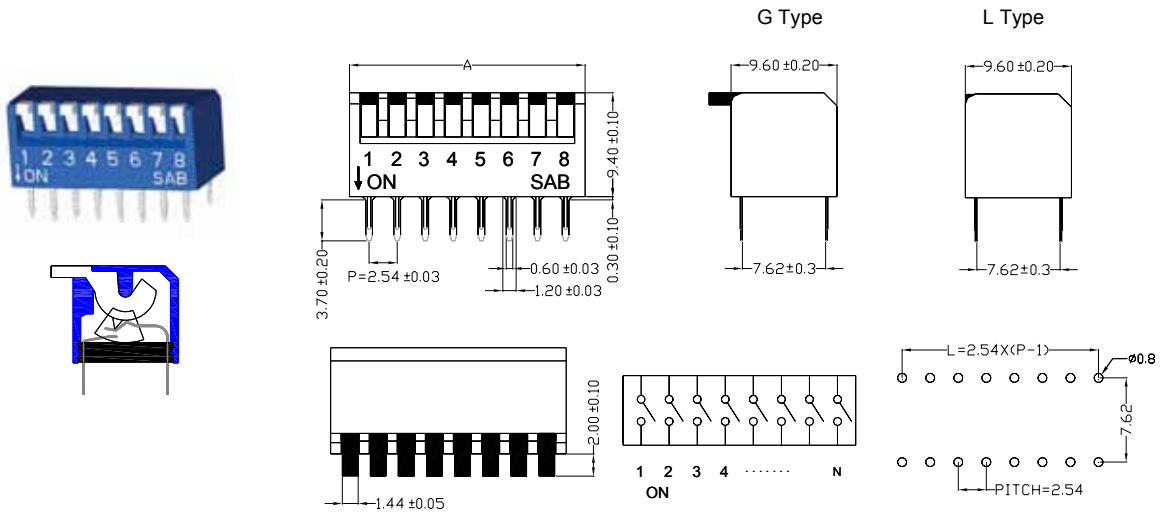
Any flux enters the switch may influence contact function.

MODEL	SPECIFICATION	SP-003	Page
BP series Box Piano Type			RoHS Compliant DIP SWITCH

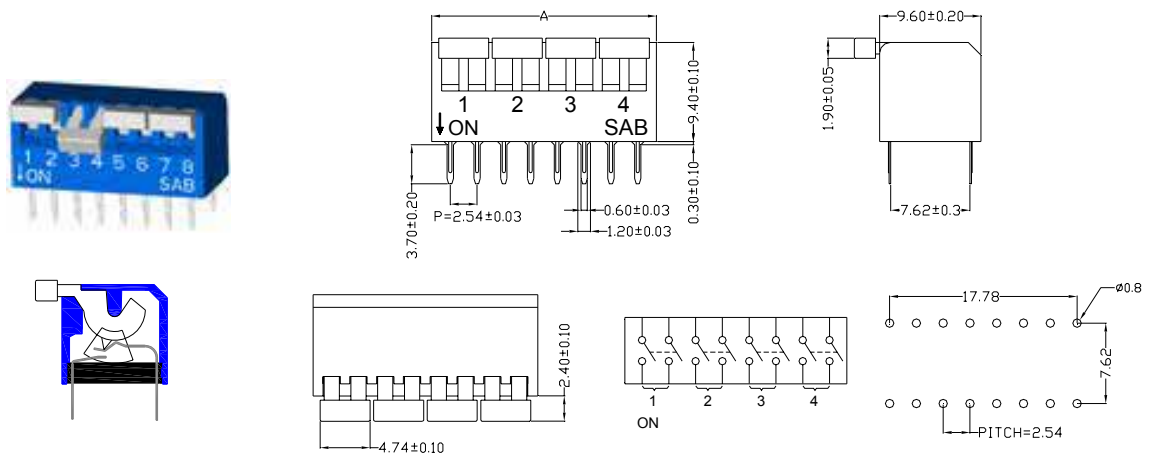
Materials

- ◆ CoverThermoplastic (UL 94V-0), Blue/Red
.....Thermoplastic (UL 94V-0), Black(THR)
- ◆ BaseThermoplastic (UL 94V-0), Black
- ◆ ActuatorThermoplastic (UL 94V-0), White
- ◆ ContactGold Plated
- ◆ Terminal40u" +/-10u" Nickel Cover (Pure) Tin Plated
.....40u" +/-10u" Nickel Cover 1u" Gold-Plated
- ◆ TapePolyester Film

BP



BP2F



MODEL	SPECIFICATION	SP-004	Page
BP series Box Piano Type			RoHS Compliant DIP SWITCH

Part Number Table

BP

No. Pos.	Dim. "A"	Raise Actuator Standard Blue Tube Package	Raise Actuator 1u" Gold Plated Red Tube Package
1	3.54	BP01GB	BP01G01R
2	6.08	BP02GB	BP02G01R
3	8.62	BP03GB	BP03G01R
4	11.16	BP04GB	BP04G01R
5	13.70	BP05GB	BP05G01R
6	16.24	BP06GB	BP06G01R
7	18.78	BP07GB	BP07G01R
8	21.32	BP08GB	BP08G01R
9	23.86	BP09GB	BP09G01R
10	26.40	BP10GB	BP10G01R
12	31.48	BP12GB	BP12G01R

BP2F

No. Pos.	Dim. "A"	Raise Actuator Standard Red Tube Package	Raise Actuator 1u" Gold Plated Blue Tube Package
1	6.08	BP2F01GR	BP2F01G01B
2	11.16	BP2F02GR	BP2F02G01B
3	16.24	BP2F03GR	BP2F03G01B
4	21.32	BP2F04GR	BP2F04G01B
5	26.40	BP2F05GR	BP2F05G01B
6	31.48	BP2F06GR	BP2F06G01B

Tube Package

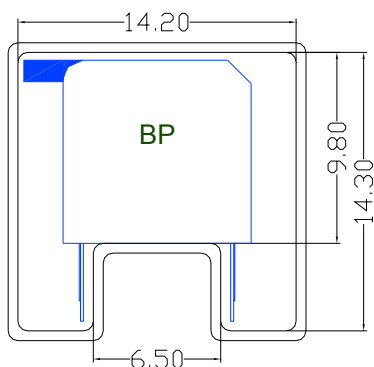
◆ BP

POLE	1	2	3	4	5	6	7	8	9	10	12
TUBE	148	85	61	47	38	32	28	24	22	20	16
BOX	7252	4165	2989	2303	1862	1568	1372	1176	1078	980	784
CTN 1	14504	8330	5978	4606	3724	3136	2744	2352	2156	1960	1568
CTN 2	29008	16660	11956	9212	7448	6272	5488	4704	4312	3920	3136

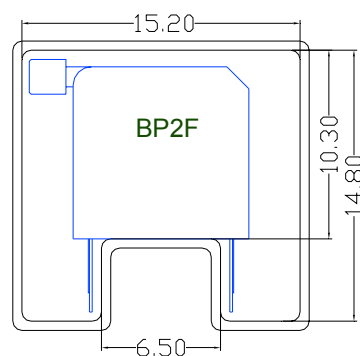
◆ BP2F

POLE	1	2	3	4	5	6
TUBE	85	47	32	24	20	16
BOX	4165	2303	1568	1176	980	784
CTN 1	8330	4606	3136	2352	1960	1568
CTN 2	16660	9212	6272	4704	3920	3136

BP



BP2F



MODEL	SPECIFICATION RoHS Compliant DIP SWITCH	SP-005	Page
BP series Box Piano Type			5/5

Box Dimension	
◆ Tube57.0cm × 13.0cm × 12.5cm
Carton Dimension:	
◆ Tube	CTN 1 / 2 Boxes.....58.5cm x 29.0cm x 15.0cm
	CTN 2 / 4 Boxes.....58.5cm x 28.0cm x 27.0cm