

Materials & Finish:
 Insulator: Glass filled Nylon 9T UL 94V-0
 Contacts: Brass
 Shell: Steel
 Shell plating: 50µ" Nickel over 100µ" Cu

Ordering Code:

CU01 P A M 1 0*0
 ① ② ③ ④ ⑤ ⑥

① Series No.

② P= Plug

③ Plating option:

A= Selective Gold flash plated over 1.27µm(50µ") Nickel

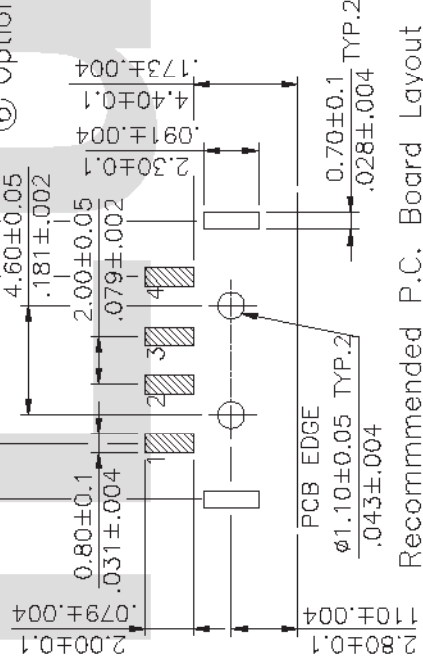
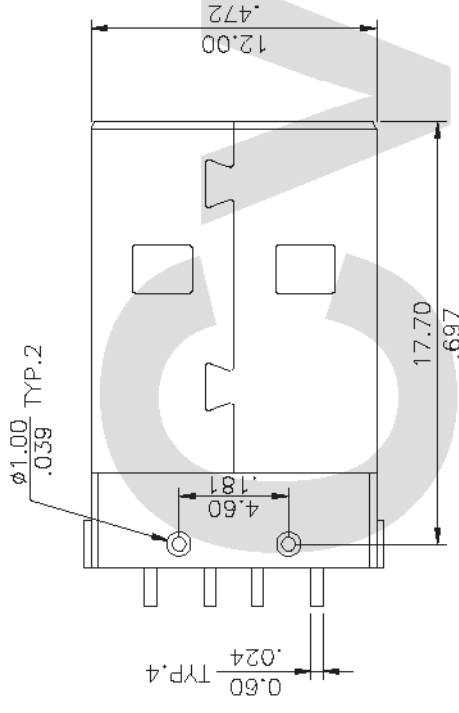
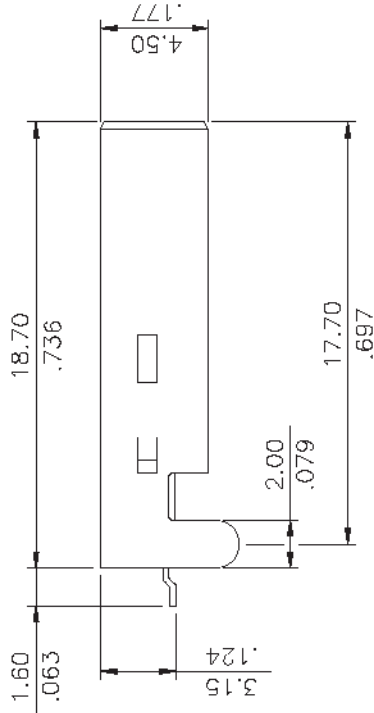
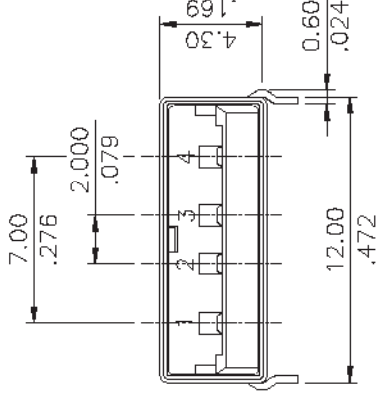
C= Selective 0.76µm(30µ") Gold plated over 1.27µm(50µ") Nickel

④ M= SMT Type

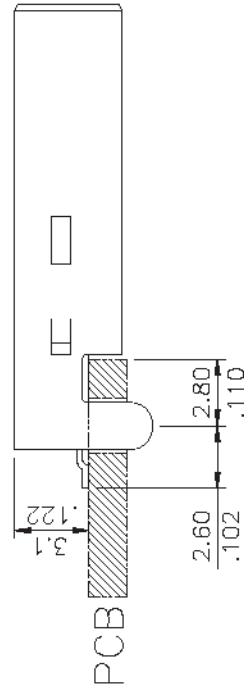
⑤ Insulator Color: 1= Black, 0= White

⑥ Option: 000= Tube Packing (Standard)

ORO= Tape & Reel Packing



Recommended P.C. Board Layout



RoHS Compliant

④	Hank	11/8/06'	ECN06412	CVILUX CORP.				TITLE: USB TYPE A SMT TYPE BOARD MOUNT PLUG	 瀚荃股份有限公司 Cvilux Corporation	DRAWING NO. CU010BSF PART NO. CU01P**M*0*0	SCALE 3 / 1 SHEET 1 OF 1
③	Sandy	12/30/04	ECN04304	2006.11.21	Hank		MATERIAL:				
②	Sandy	12/30/04	ECN04304	ISSUED	Eisley		FINISH:				
①	SUN	8/10/04	ECN04304		David						
SYM	NAME	DATE	REVISIONS		Alex	11/9-06'	.XXX ± 0.10/.004 .XX" ± .XX" ±				