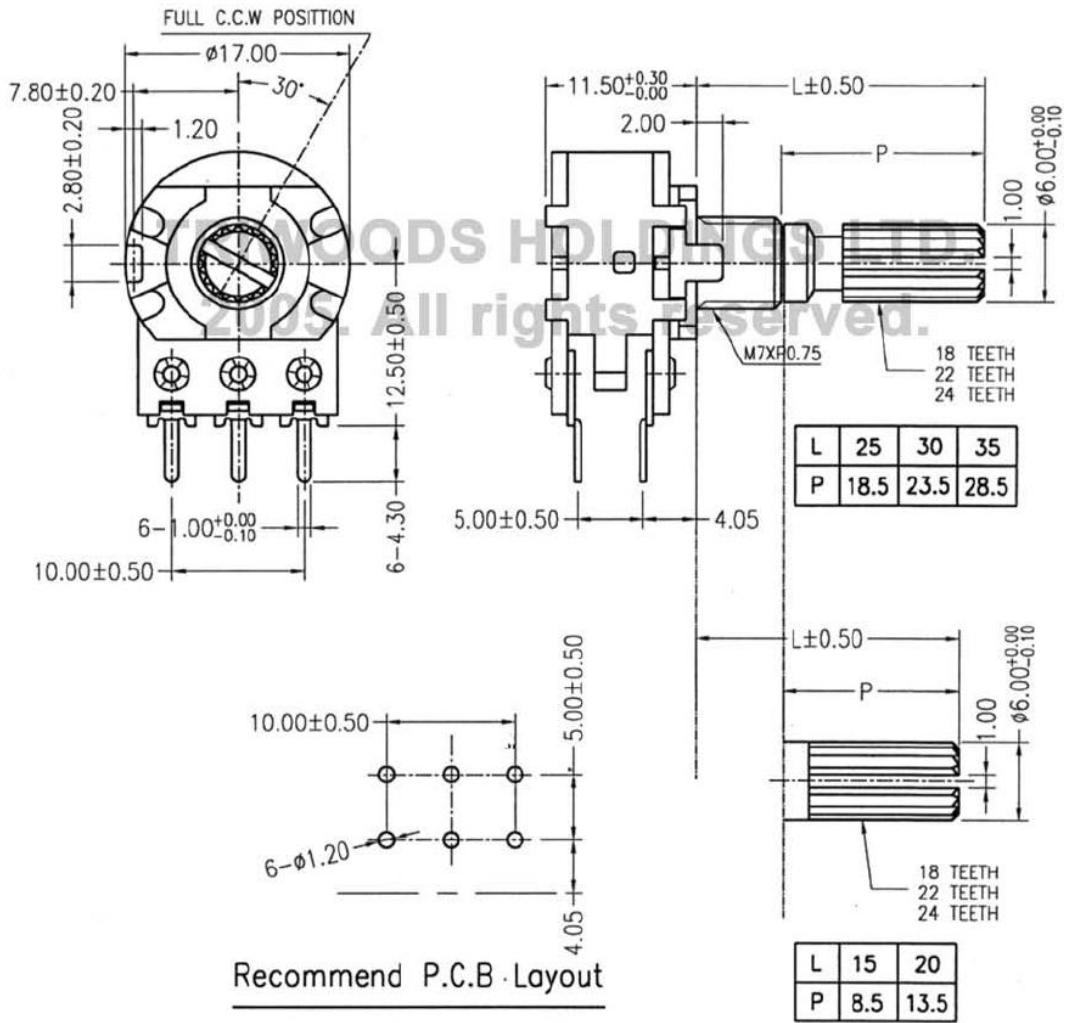


APPEARANCE DRAWING



未注角度 $\pm 10^\circ$
 未注公差 0-10mm ± 0.3 mm
 未注公差 10-60mm ± 0.5 mm

TP R-16KG

DRAWING NO	REV	SHEET/OF
TEC-WI-E.WX-106	B1	1/1