

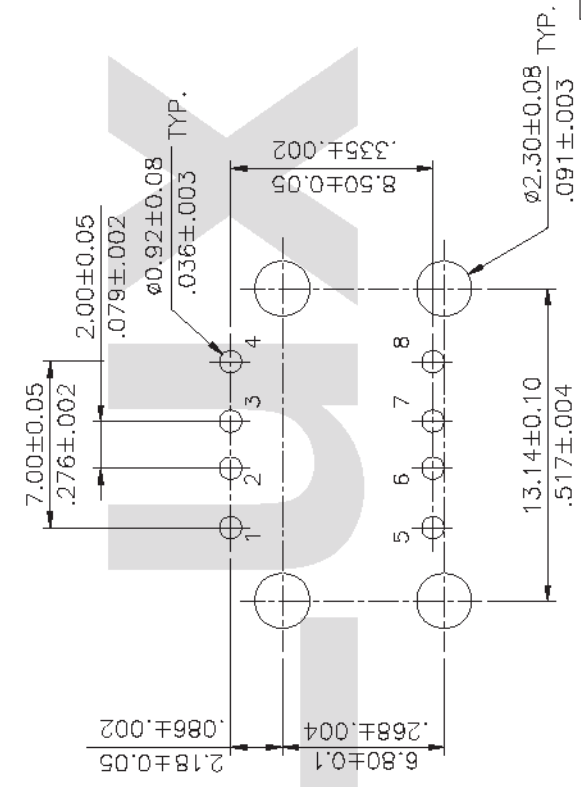
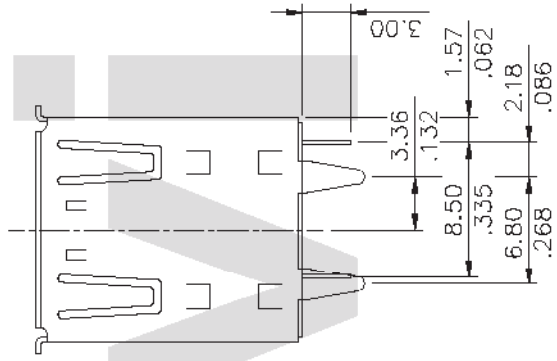
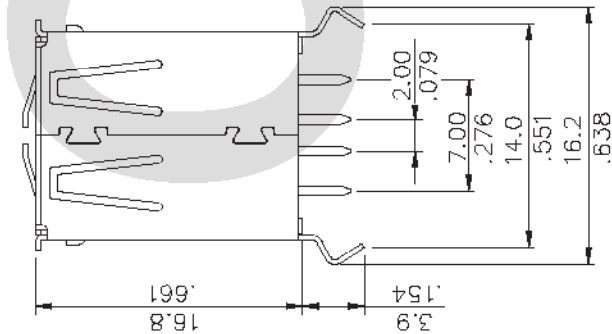
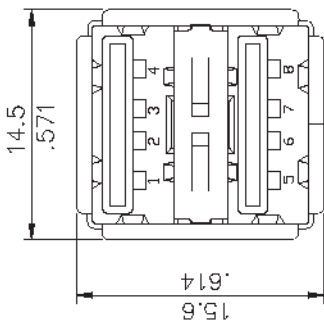
### Ordering Code:

CU01 S A V 1 D 00  
 ① ② ③ ④ ⑤ ⑥ ⑦

- ① Series No.
- ② S= Socket
- ③ Plating option:  
 A= Selective Gold flash  
 plated over 50µin Nickel
- ④ V= Straight DIP
- ⑤ Insulator Color: 1= Black, 0= White
- ⑥ D= Dual port
- ⑦ Option: 00= Standard

### Materials :

Insulator : Glass filled polyester UL 94V-0  
 Contacts : Phosphor Bronze,t= 0.25mm  
 Shell : Brass, t= 0.30mm  
 △Shell Plating: 80µ Nickel over 50µ Cu



Recommended P.C. Board Layout

Lead Free Process

RoHS Compliant

④							TITLE: U.S.B TYPE-A STRAIGHT BOARD MOUNT SOCKET	瀚荃股份有限公司 CvILUX Corporation	DRAWING NO. CU0113SE	PART NO. CU01SAV*D00	SHEET 1 OF 1
	③						MATERIAL:				
②	Sun	7/01/05	ECR05062-0/ECN05231	2005.07.21	ISSUED	2005.07.21	UNLESS OTHERWISE SPECIFIED				
①	Sandy	12/30/04	ECN04516	7/15-05	7/19-05	7/19-05	X ± 0.30/.012 X' ± 1"				
SYM	NAME	DATE	REVISIONS	APPROVED BY: Alex	CHECKED BY: David	ENGINEER: Easley	XX ± 0.20/.008 X' ±				
				DATE	DATE	DRAWN BY: Sun	.XXX ± 0.10/.004 .XX' ±				
				7/14-05	7/19-05	7/14-05					
				7/14-05	7/19-05	7/14-05					